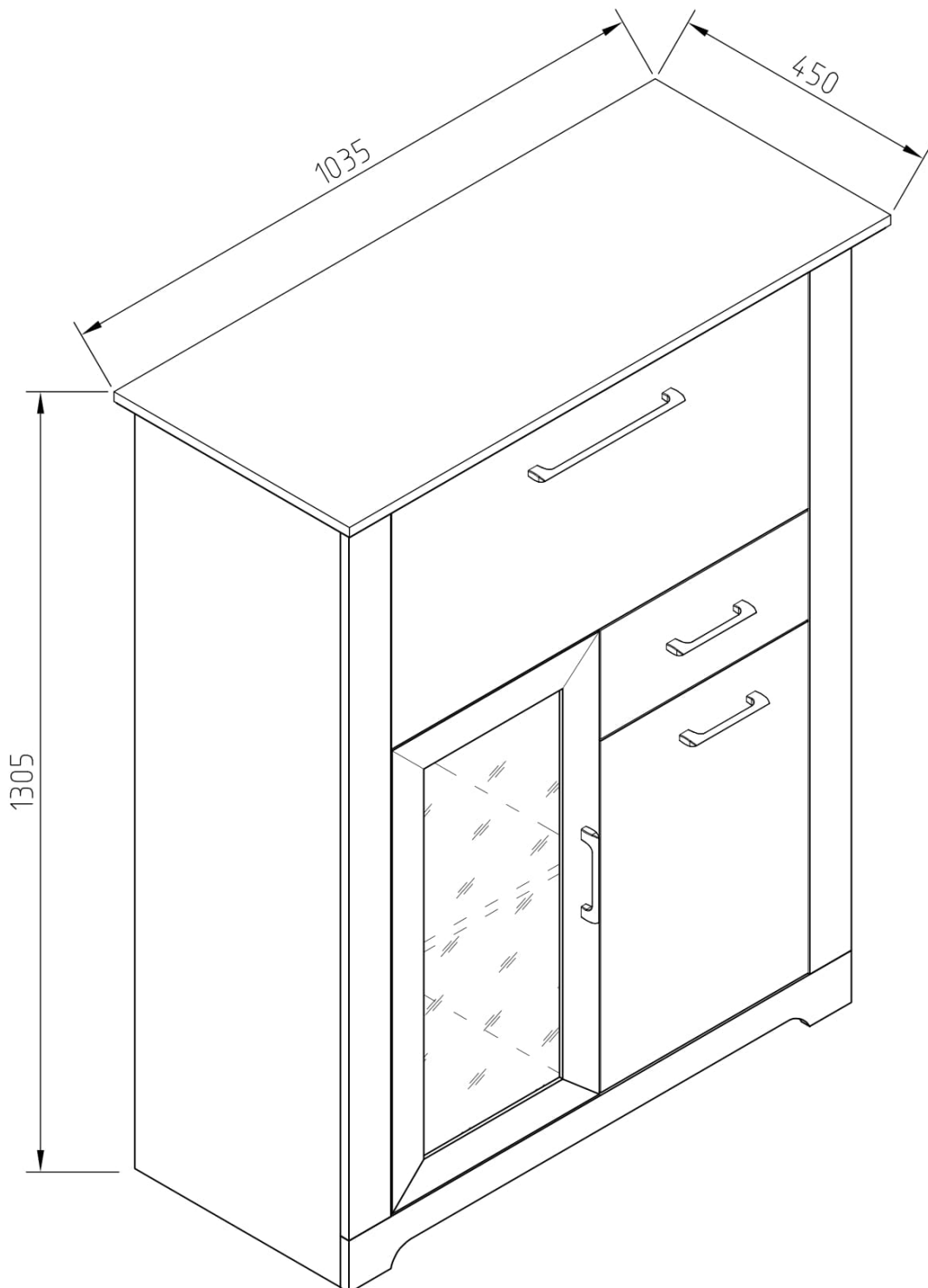
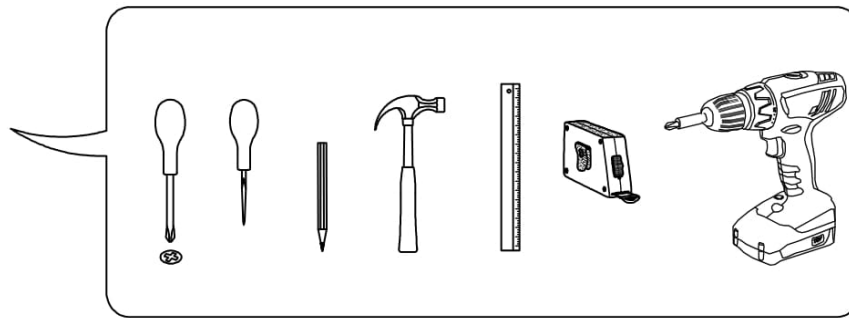




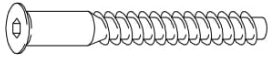
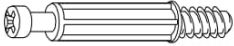




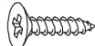




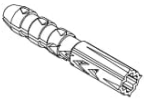
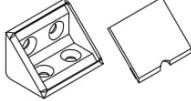

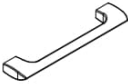
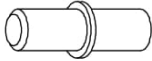
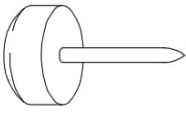
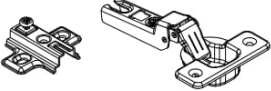
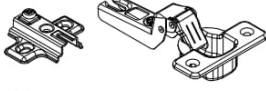



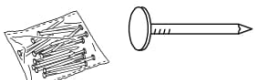

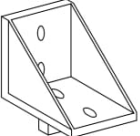


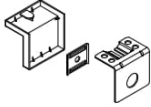

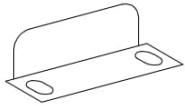
# **VALERIO**


## **BAR 3D GL 1Dr**



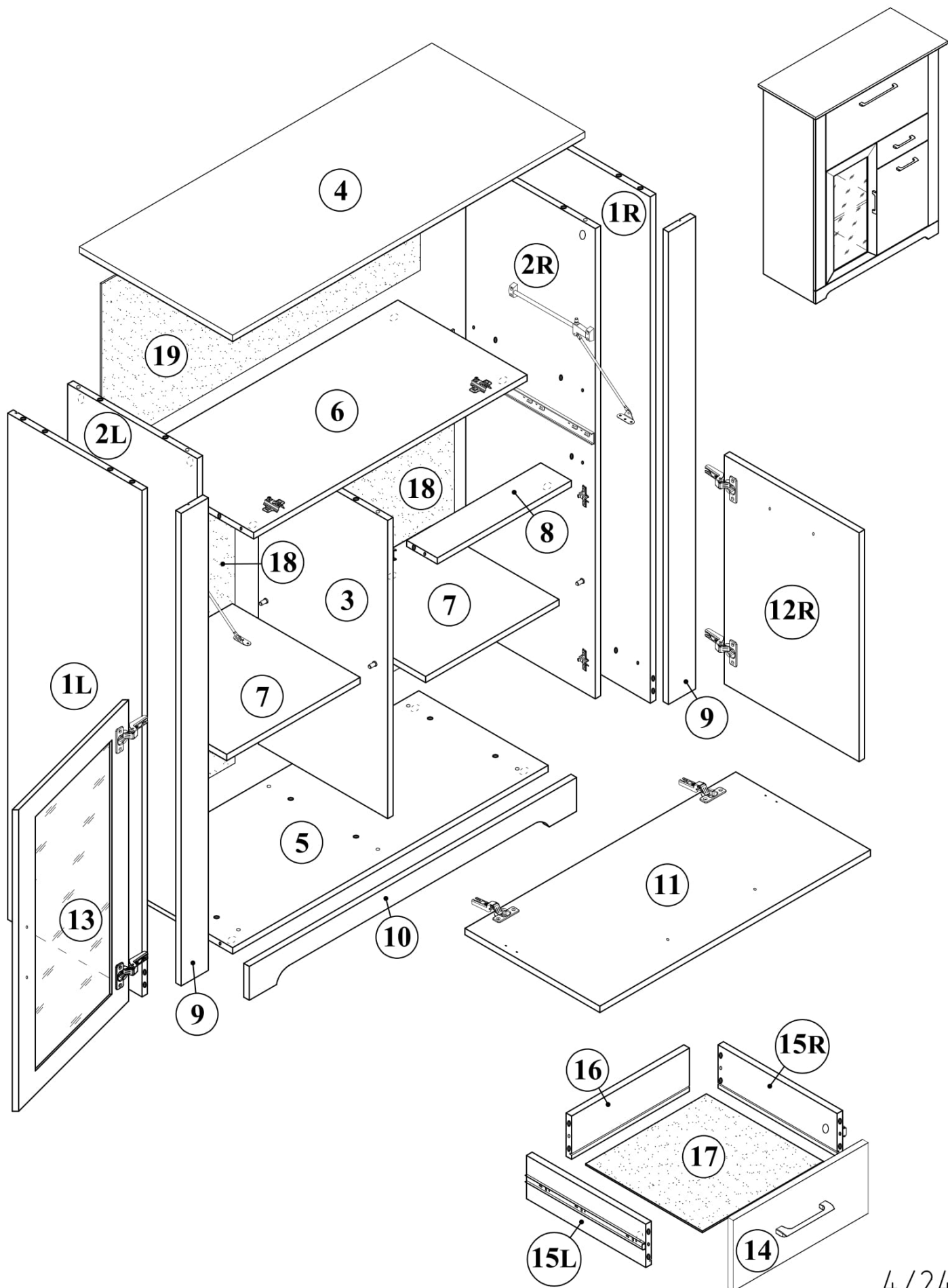


 <b>A1</b> 8*30mm x42	 <b>B</b> x8	 <b>B1</b> 6,3*50mm x8
 <b>C1</b> 5*30mm x18	 <b>D</b> x18	 <b>D1</b> 16mm x18
 <b>E3</b> 3*15mm x4	 <b>E4</b> 3*20mm x13	 <b>E5</b> 3,5*16 x74
 <b>Ea4</b> 4,2*65mm x1	 <b>F3</b> 6,3*13mm x12	 <b>G6</b> M 4*22 x8
 <b>H2</b> x12	 <b>H5</b> 8*50mm x1	 <b>H12</b> 20x20x33 x3
 <b>I43</b> P-38 (128) x3	 <b>I43</b> P-38 (256) x1	 <b>J1</b> 5*16mm x8
 <b>K4</b> x4	 <b>L2</b> x2	 <b>L3</b> x4
 <b>M2</b> L-350mm x1	 <b>N4</b> 1R+1L x2	 <b>O1</b> x5
 <b>R3</b> 1.4*25mm 0.020kg	 <b>R4</b> N°4 x1	 <b>S13</b> x8

 <b>S14</b> K-06 x1	 <b>U3</b> x4	 <b>V2</b> x2


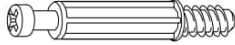


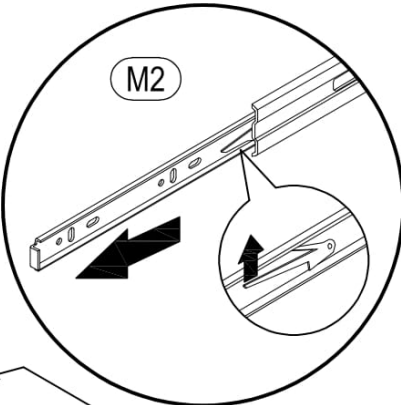
No	a*b	x	N°→...
1L	1287x394	x1	1/3
1R	1287x394	x1	1/3
2L	1195x380	x1	1/3
2R	1195x380	x1	1/3
3	758x380	x1	2/3
4	1035x450	x1	2/3
5	927x380	x1	2/3
6	803x380	x1	2/3
7	392x375	x2	2/3
8	393x90	x1	2/3
9	1201x80	x2	1/3
10	961x86	x1	2/3
11	795x396	x1	3/3
12	582x396	x1	3/3
13	766x396	x1	3/3
14	396x180	x1	3/3
15L	350x110	x1	1/3
15R	350x110	x1	1/3
16	335x110	x1	1/3
17	343x343	x1	2/3
18	780x467	x2	2/3
19	936x433	x1	2/3
		x1	2/3

**VALERIO**  
**BAR 3D GL 1Di**

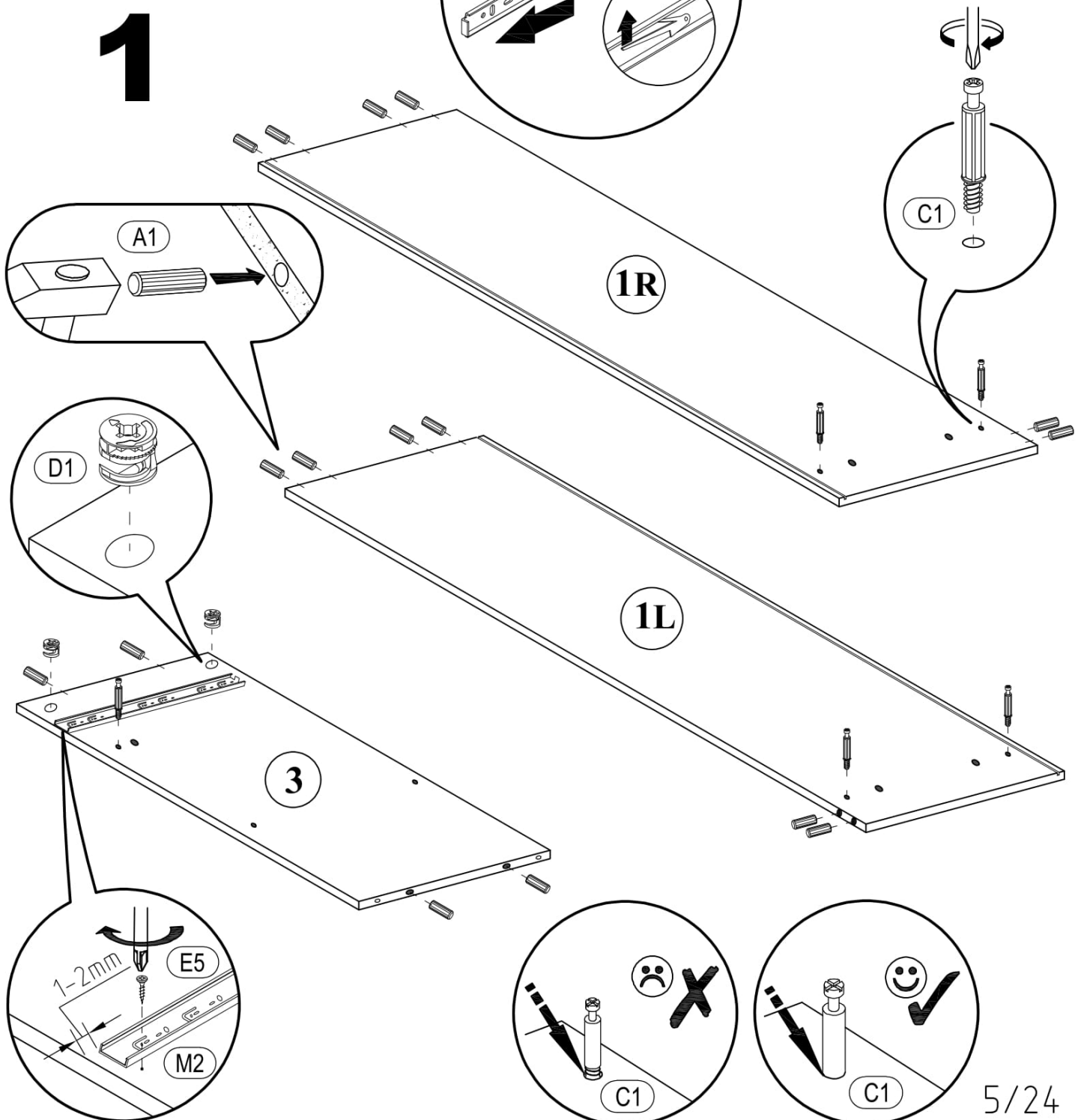


# VALERIO

## BAR 3D GL 1D<sub>i</sub>


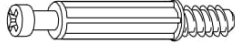




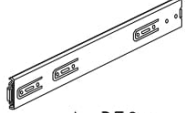
 <p><b>A1</b> 8*30mm x16</p>	 <p><b>C1</b> 5*30mm x5</p>	 <p><b>E5</b> 3,5*16 x2</p>
 <p><b>D1</b> 16mm x2</p>	 <p><b>M2</b> L-350mm x1</p>	

# 1

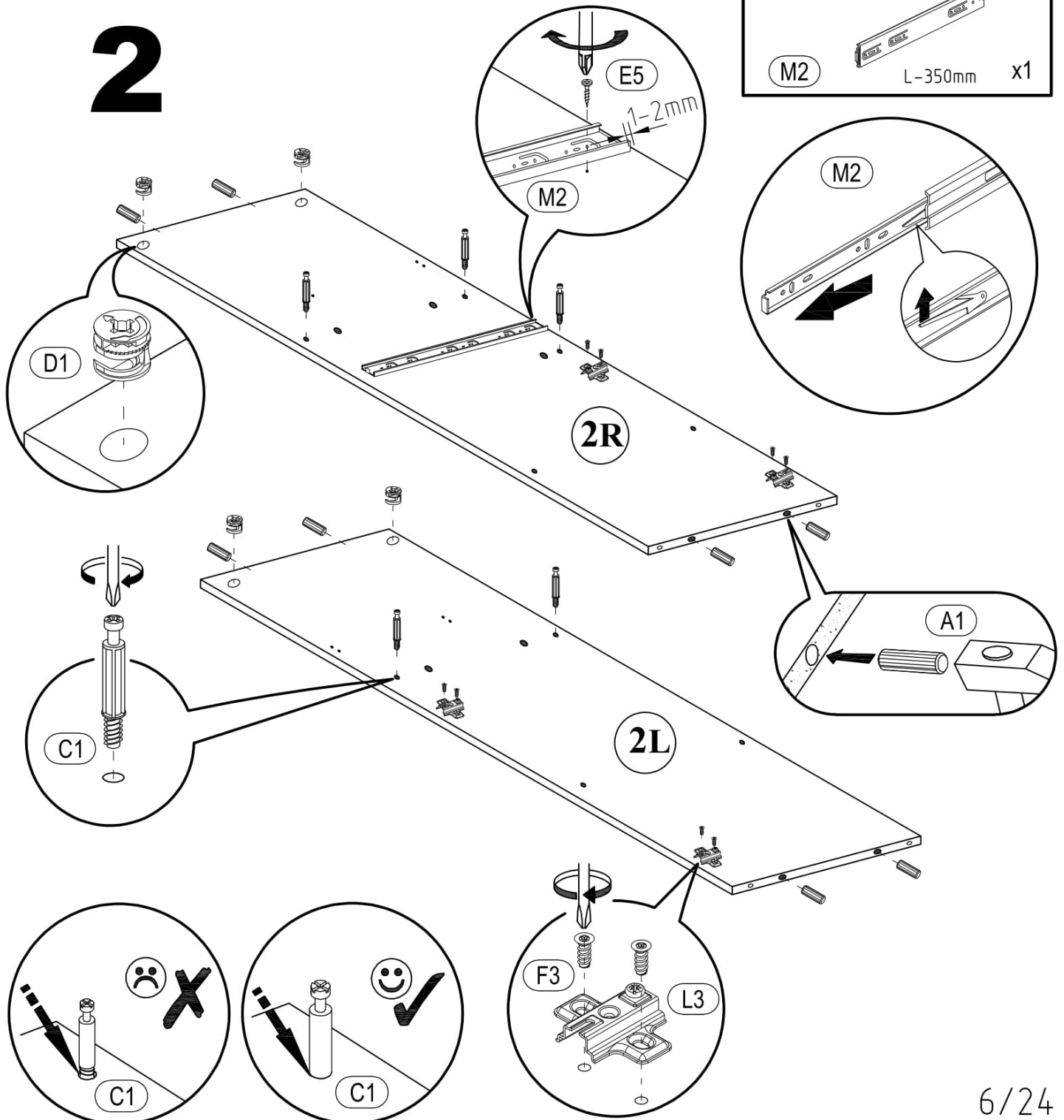



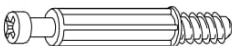



# VALERIO

## BAR 3D GL 1D<sub>i</sub>

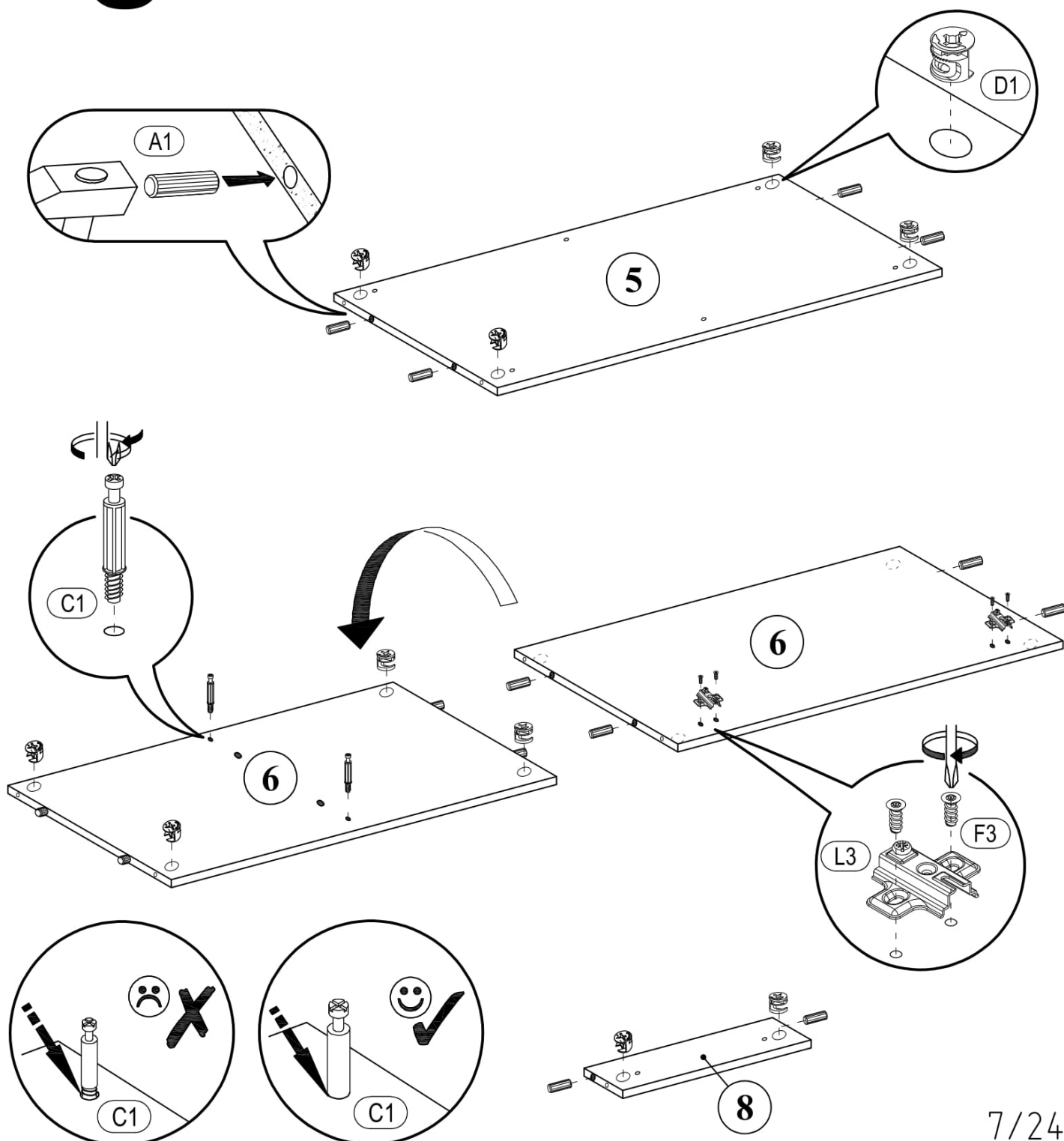
 A1 8*30mm x8	 C1 5*30mm x5	 D1 16mm x4
 E5 3,5*16 x2	 F3 6,3*13mm x8	 L3 x4
		 M2 L-350mm x1

# 2



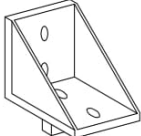


 <b>A1</b> 8*30mm x10	 <b>C1</b> 5*30mm x2	 <b>D1</b> 16mm x10
 <b>F3</b> 6,3*13mm x4		 <b>L2</b> x2

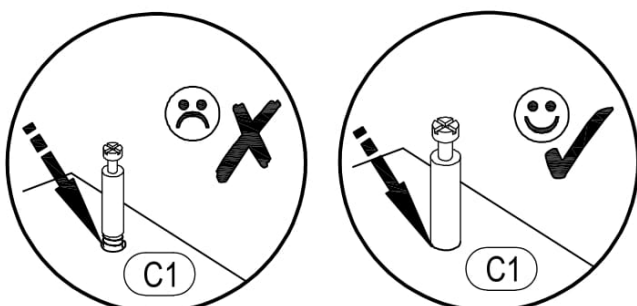
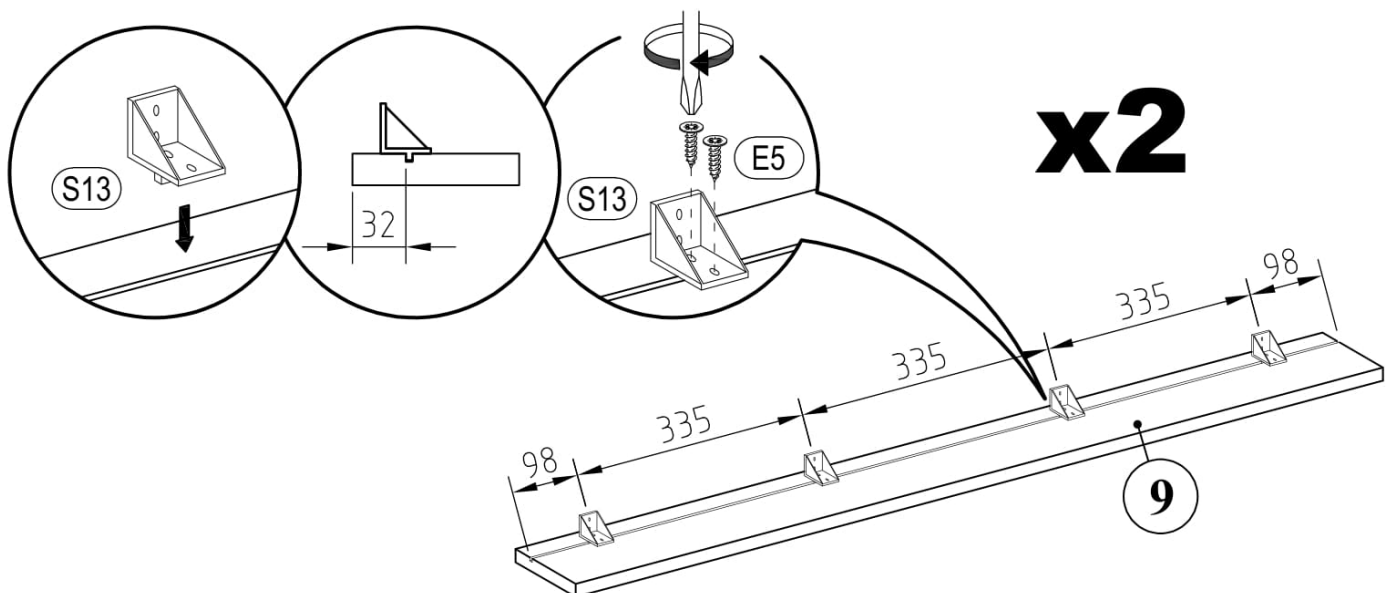
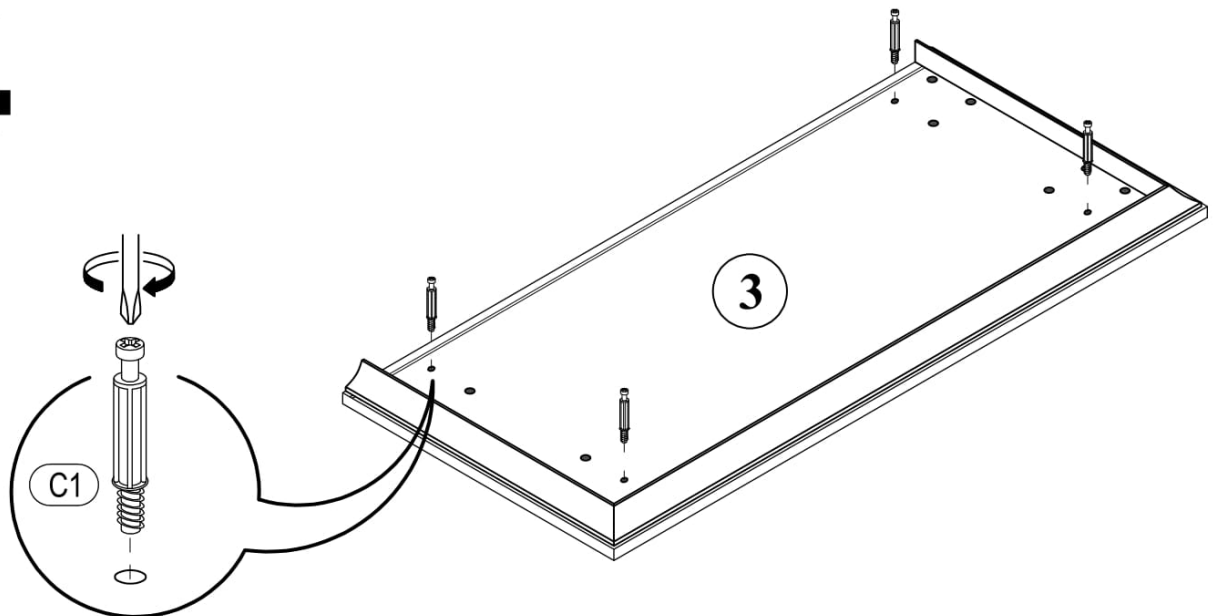
# 3



**VALERIO**  
**BAR 3D GL 1Di**

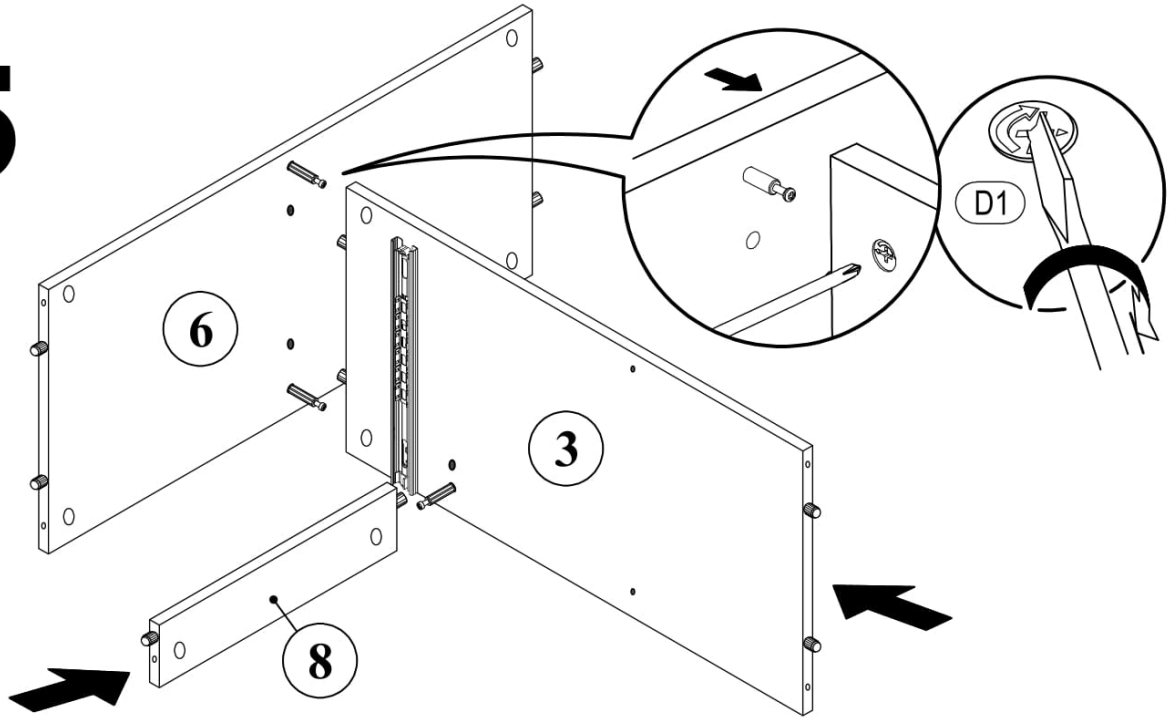
 <b>(C1)</b> 5*30mm x4	 <b>(E5)</b> 3,5*16 x16	 <b>(S13)</b> x8
--	---	--

**4**

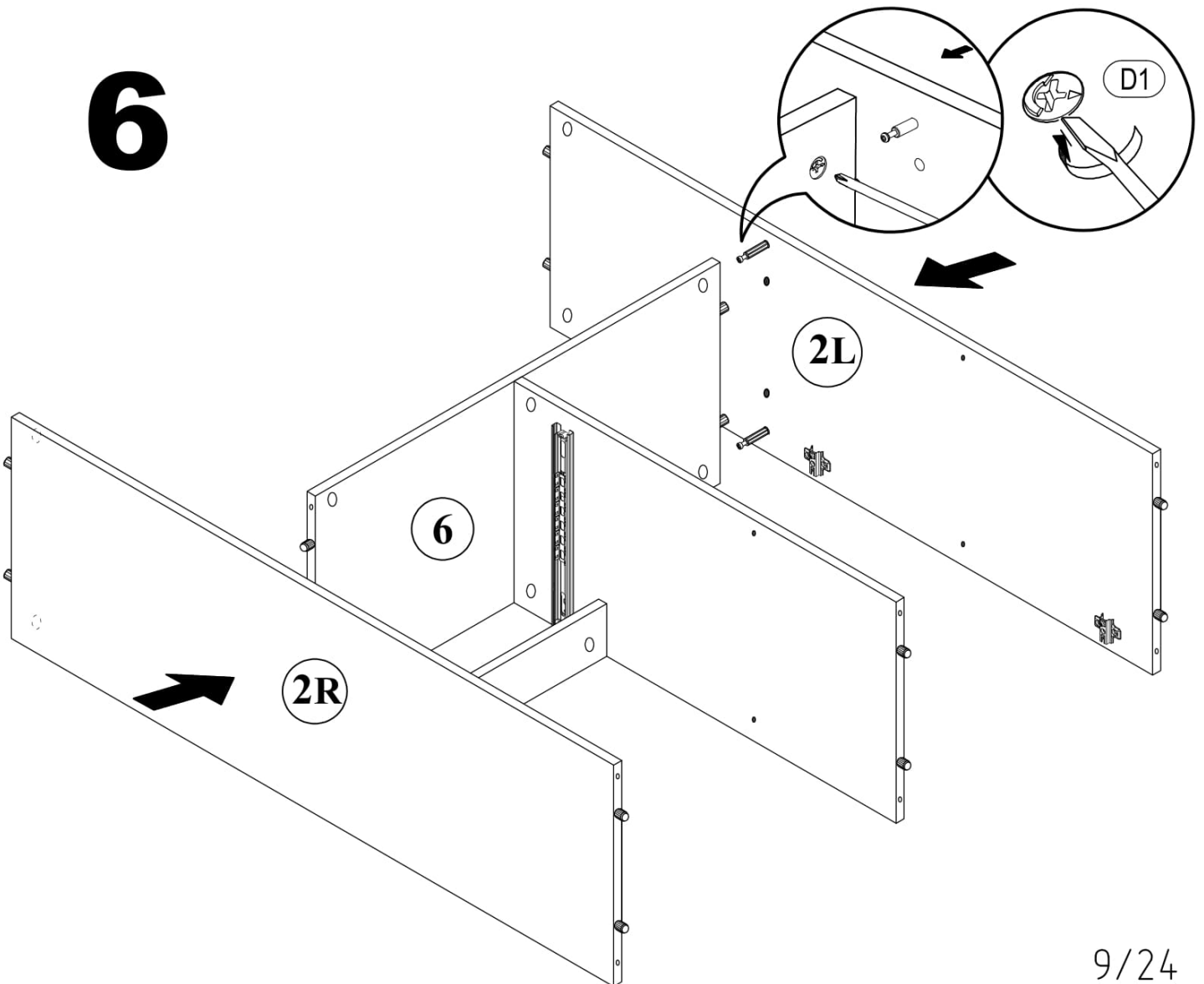




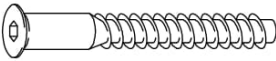
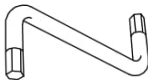
**5**

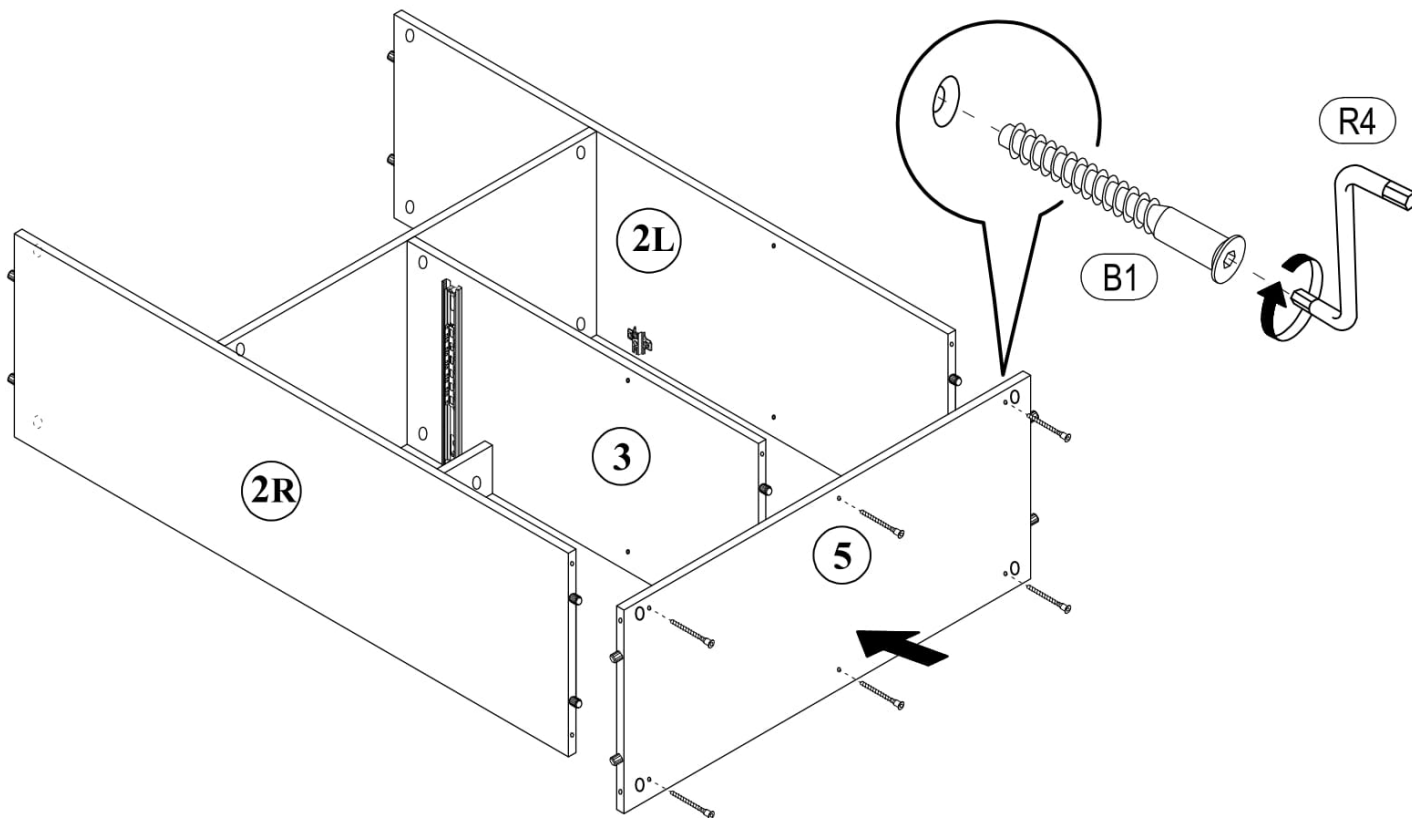


**6**




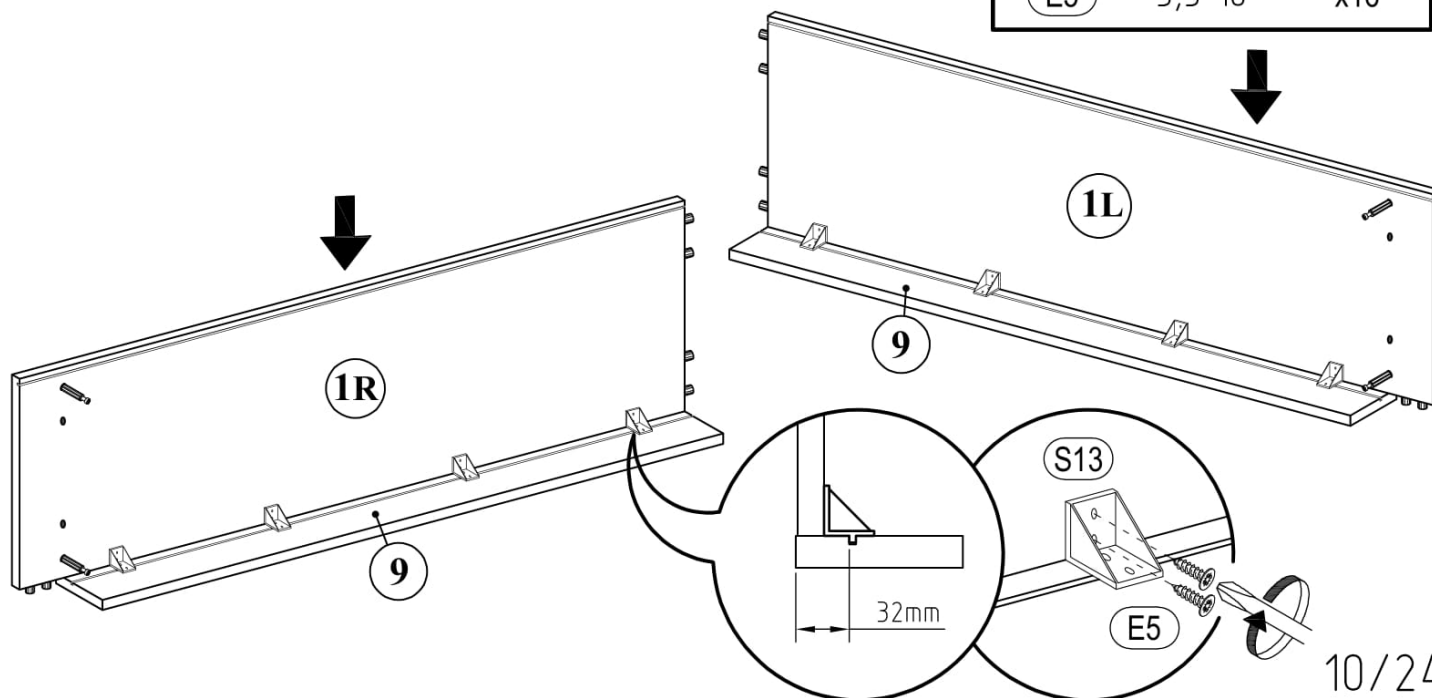
**7**

	
<b>B1</b> 6,3*50mm x6	<b>R4</b> N°4 x1

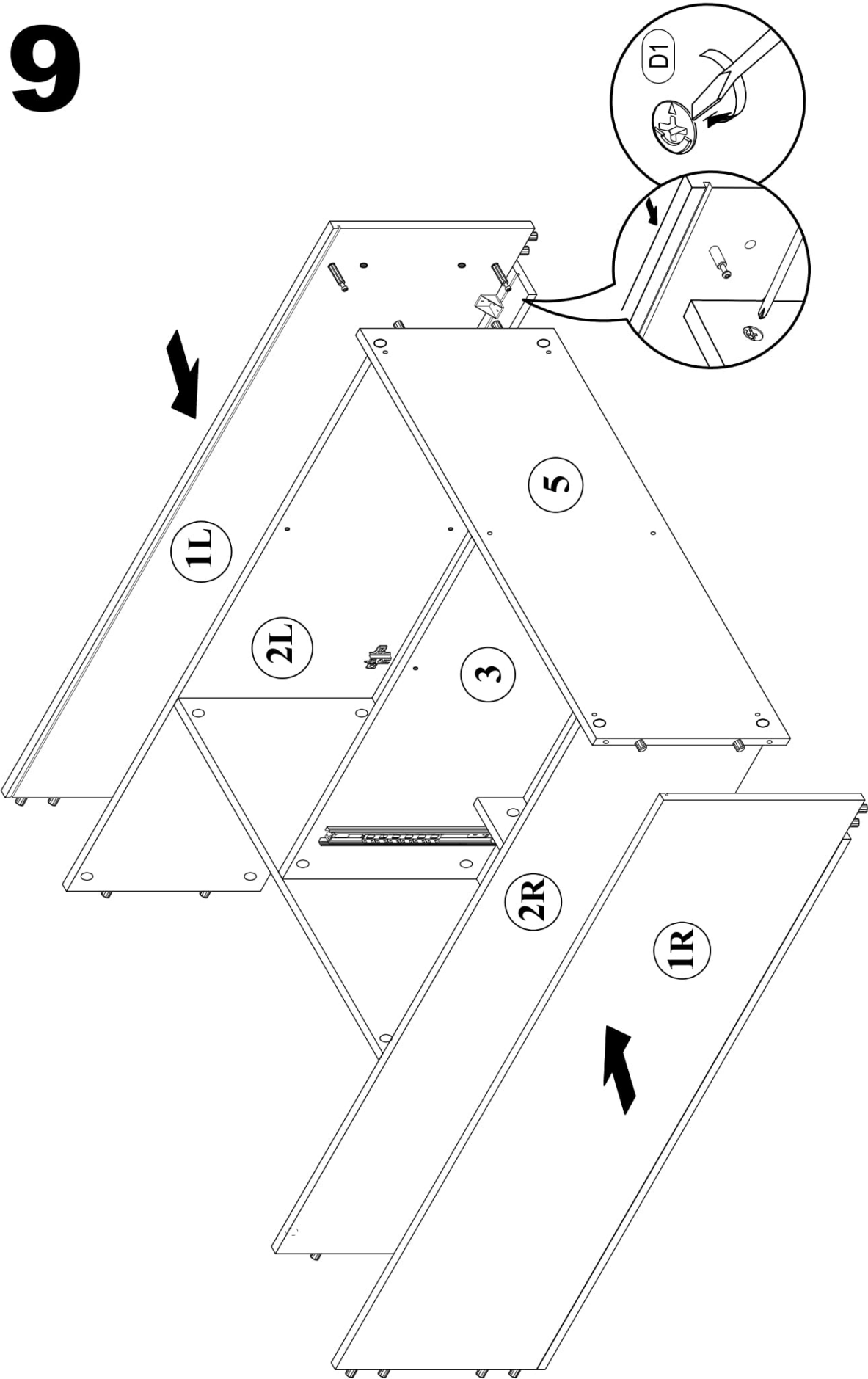


**8**

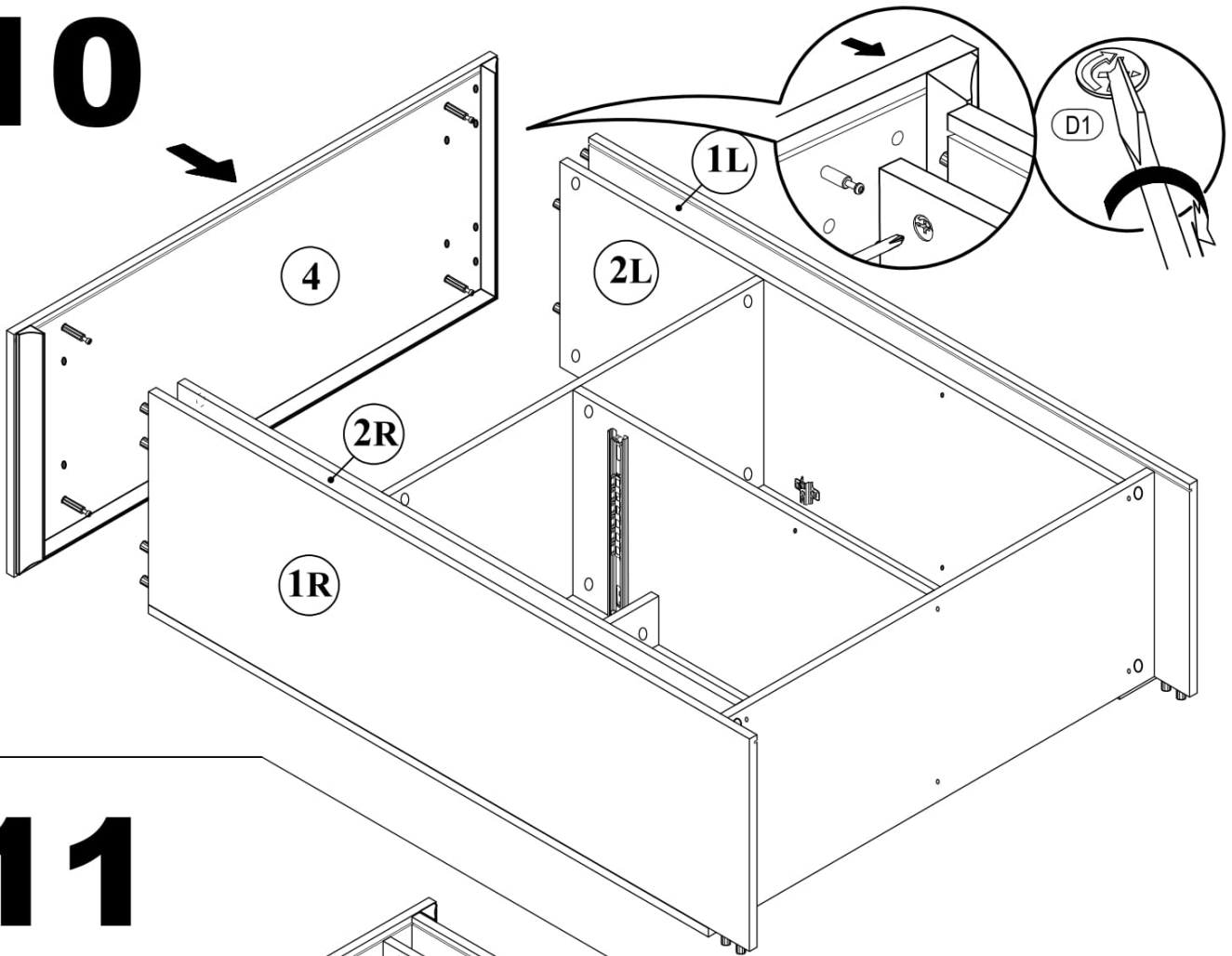

<b>E5</b> 3,5*16 x16



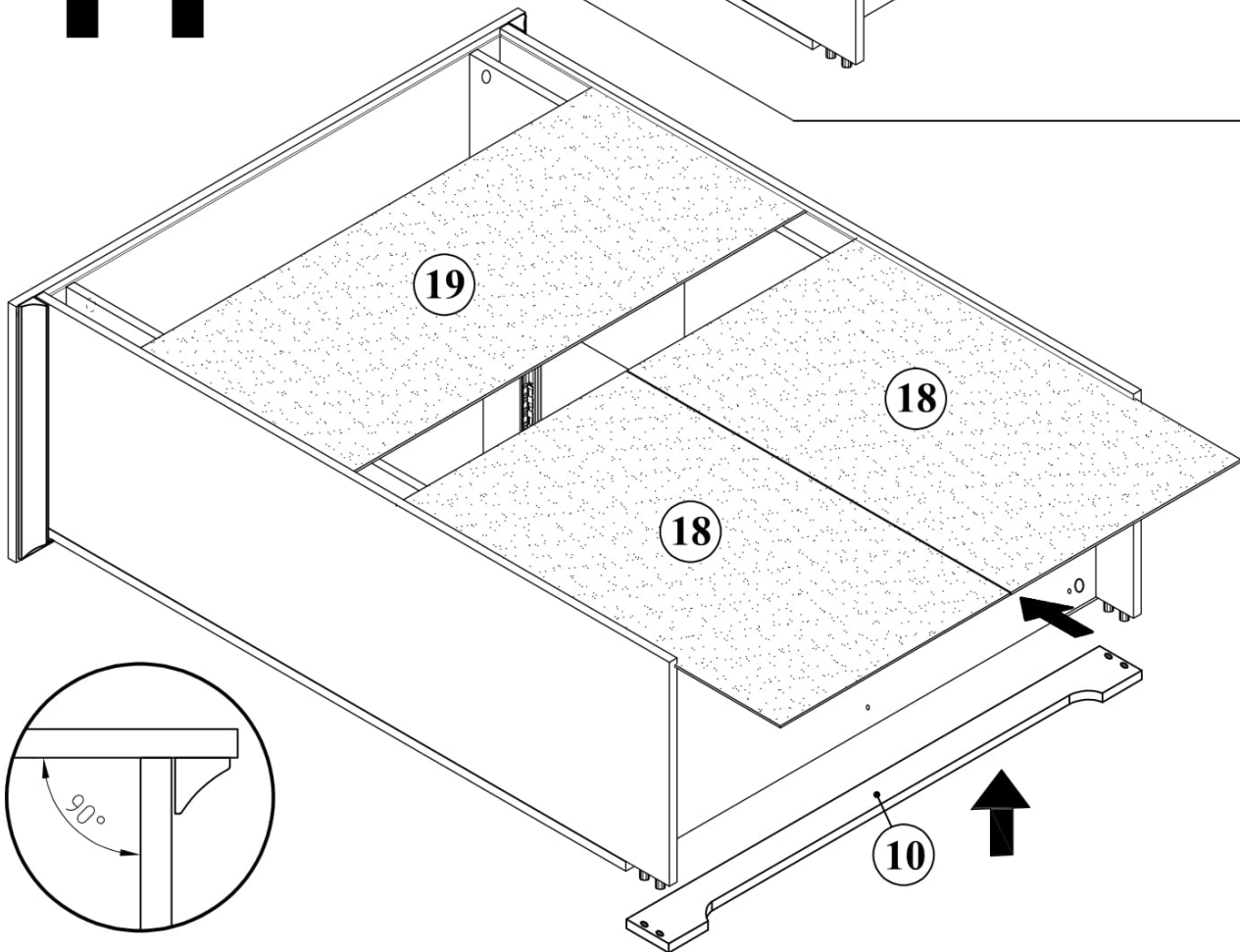
**9**





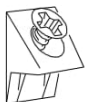
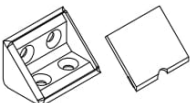
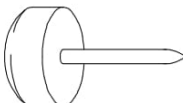

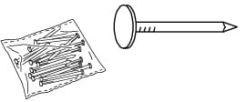
**10**



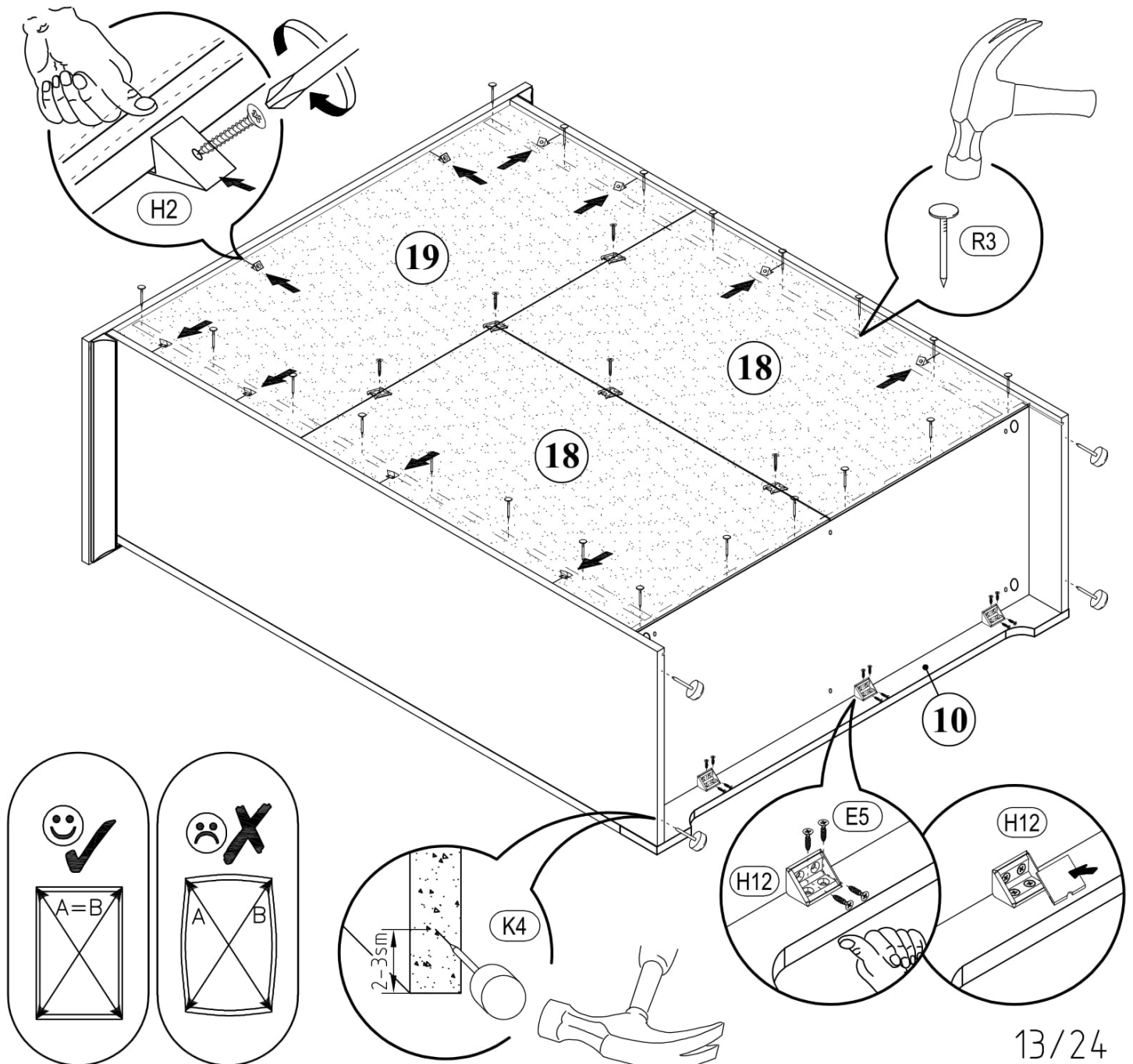
**11**

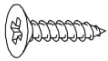

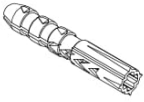
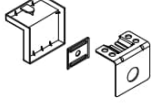


**VALERIO**  
**BAR 3D GL 1Dr**

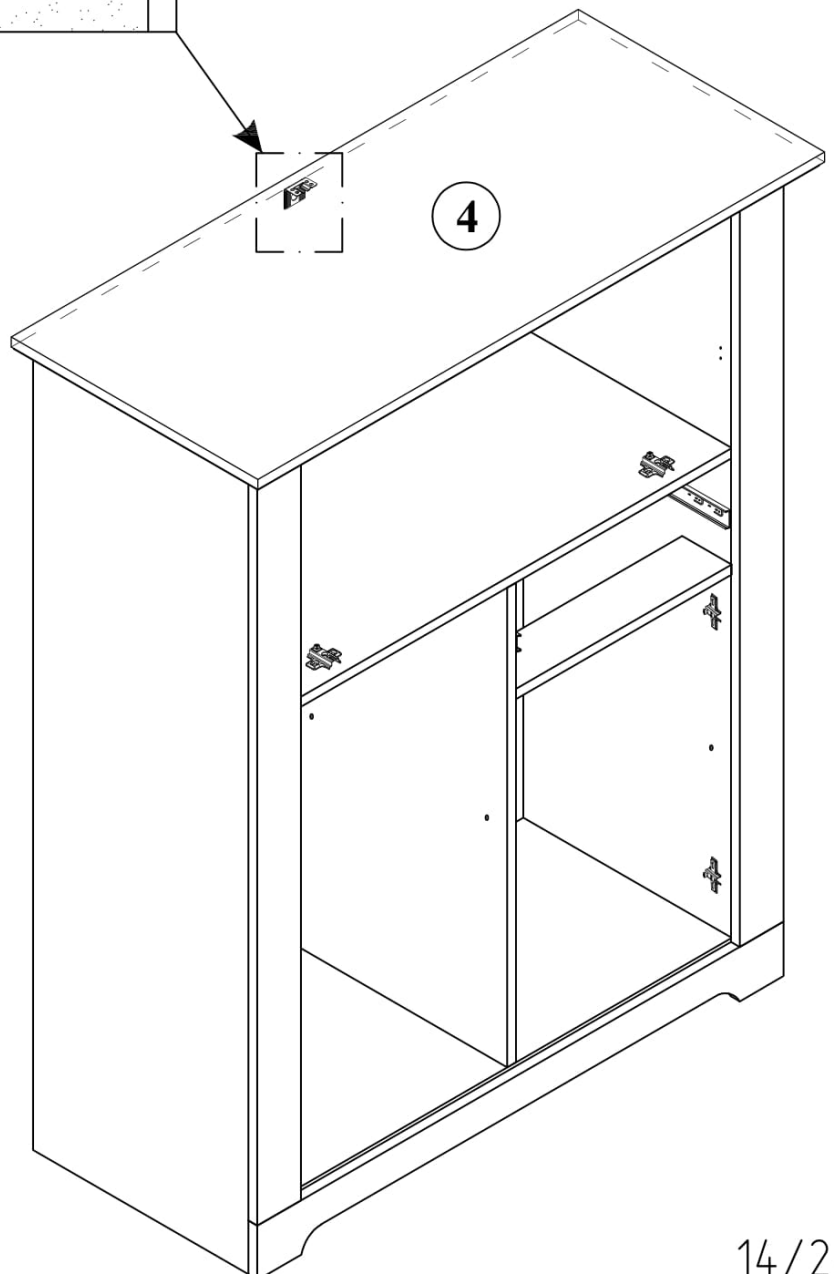
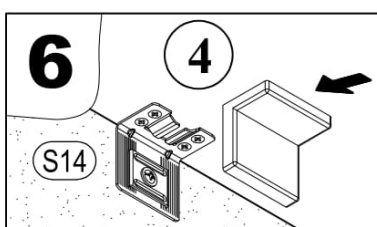
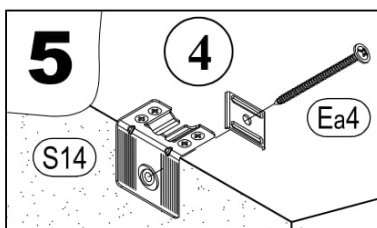
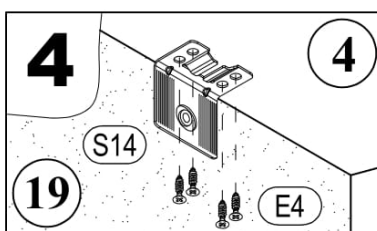
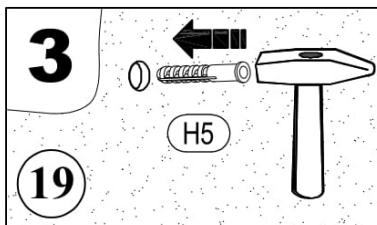
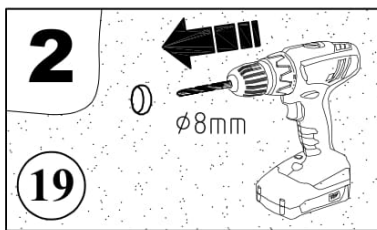
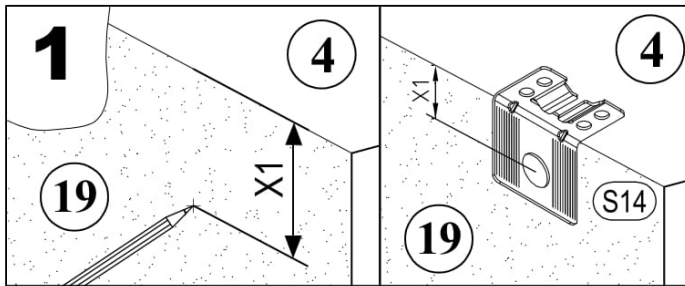
 <b>E4</b> 3*20mm x5	 <b>E5</b> 3,5*16 x12	 <b>H2</b> x10
 <b>H12</b> 20x20x33 x3	 <b>K4</b> x4	 <b>O1</b> x5
		 <b>R3</b> 1.4*25mm 0.020kg



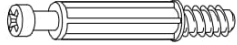

**12**



 <b>E4</b> 3,5*16mm x4	 <b>Ea4</b> 4,2*65mm x1	 <b>H5</b> 8*50mm x1
		 <b>S14</b> K-06 x1

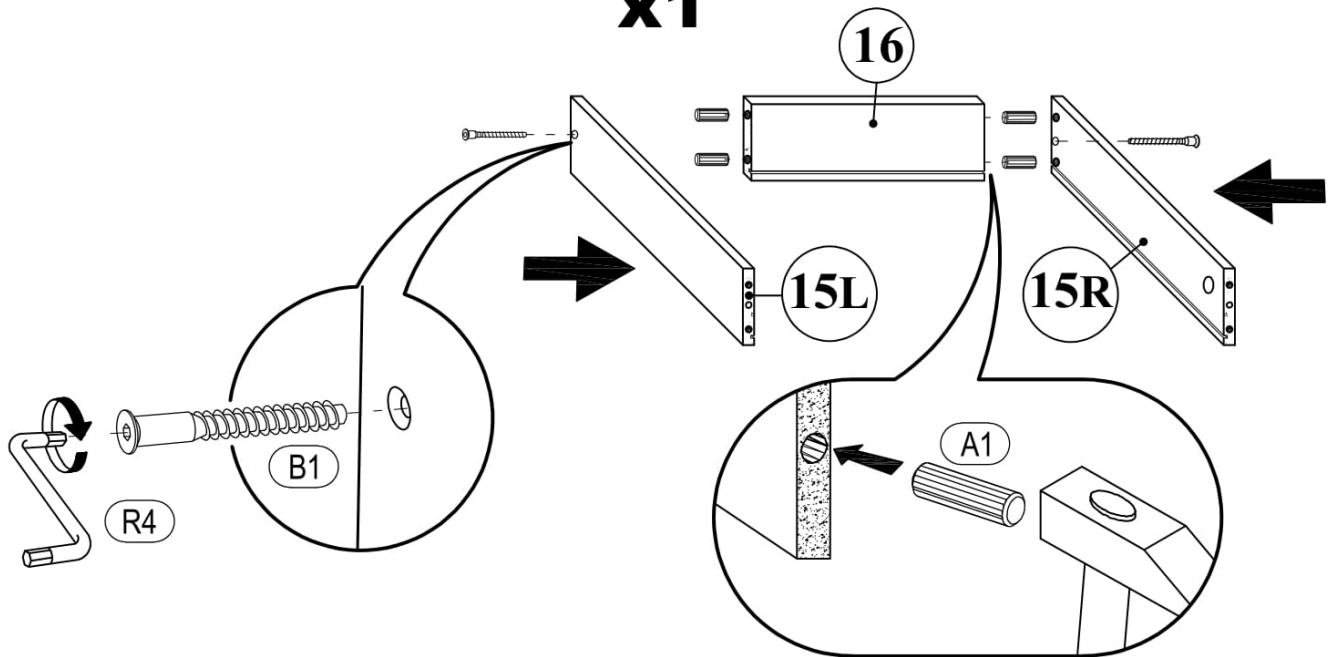
# 13



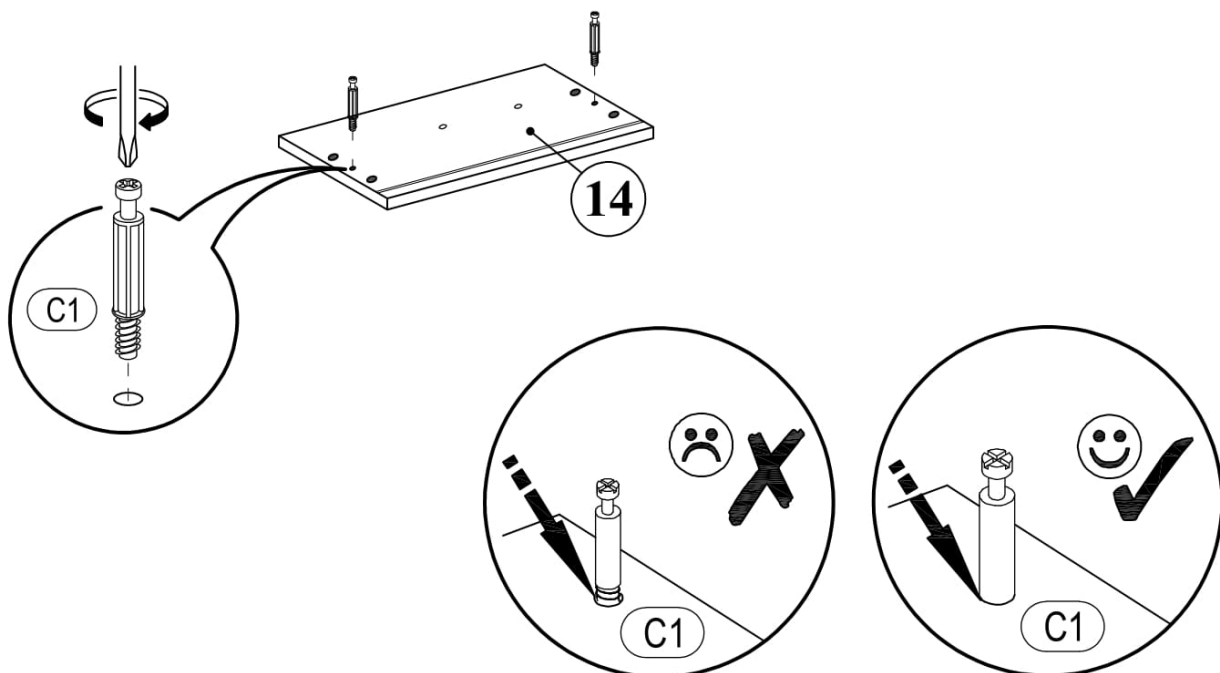
 <b>(A1)</b> 8*30mm x4	 <b>(B1)</b> 6,3*50mm x2	 <b>(C1)</b> 5*30mm x2
		 <b>(R4)</b> N°4 x1




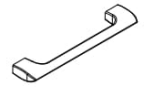
# 14

## 14.1 x1



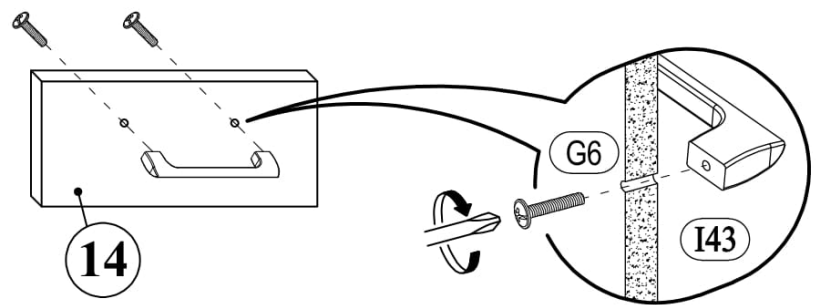
## 14.2 x1



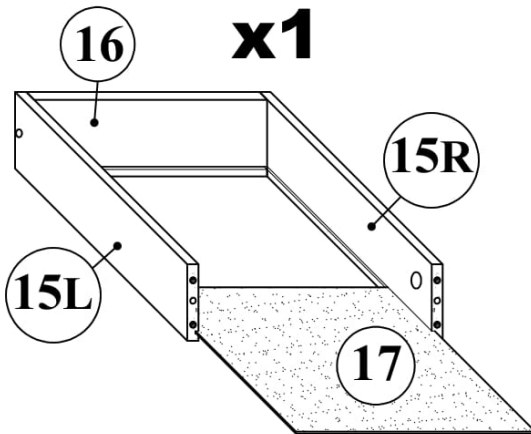
 <b>A1</b> 8*30mm x4	 <b>D1</b> 16mm x2	 <b>G6</b> M 4*22 x2
		 <b>I43</b> P-38 x1

**14**

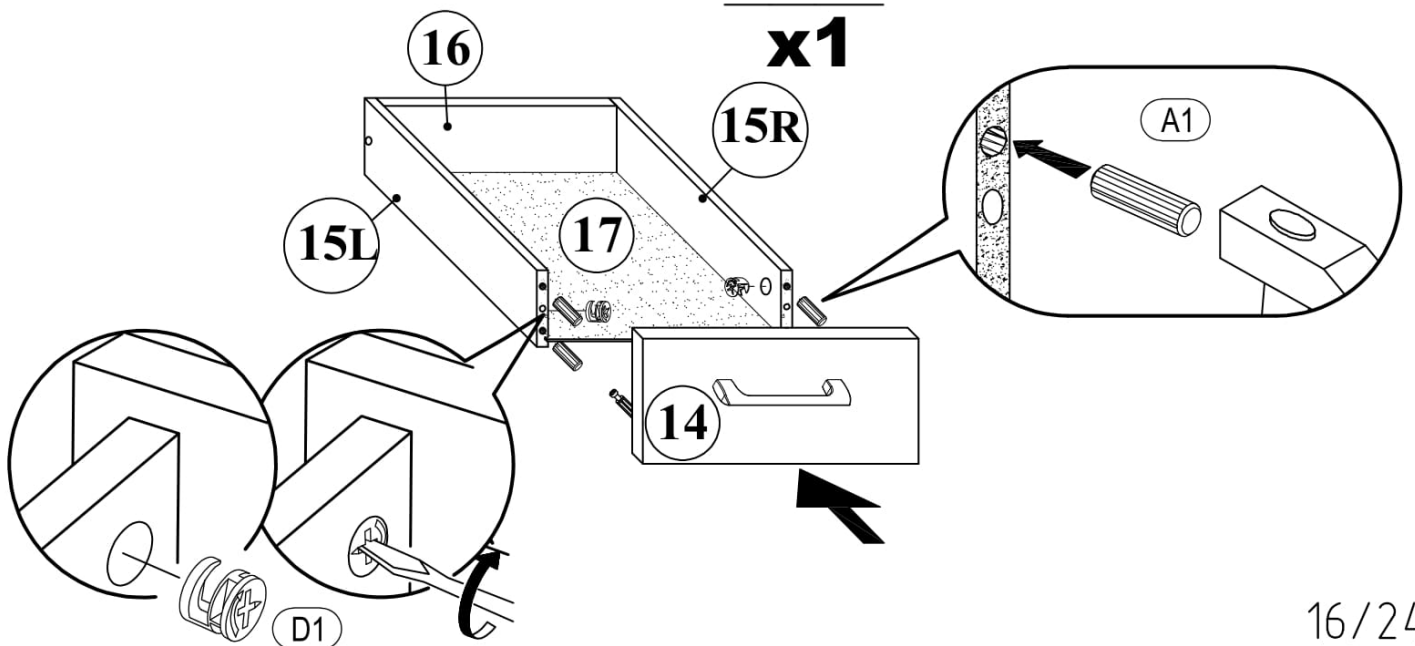
**14.3**  
x1






**14.4**  
x1



**14.5**  
x1

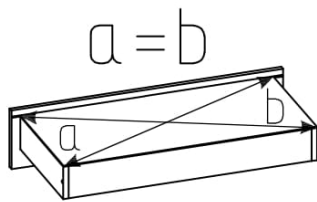
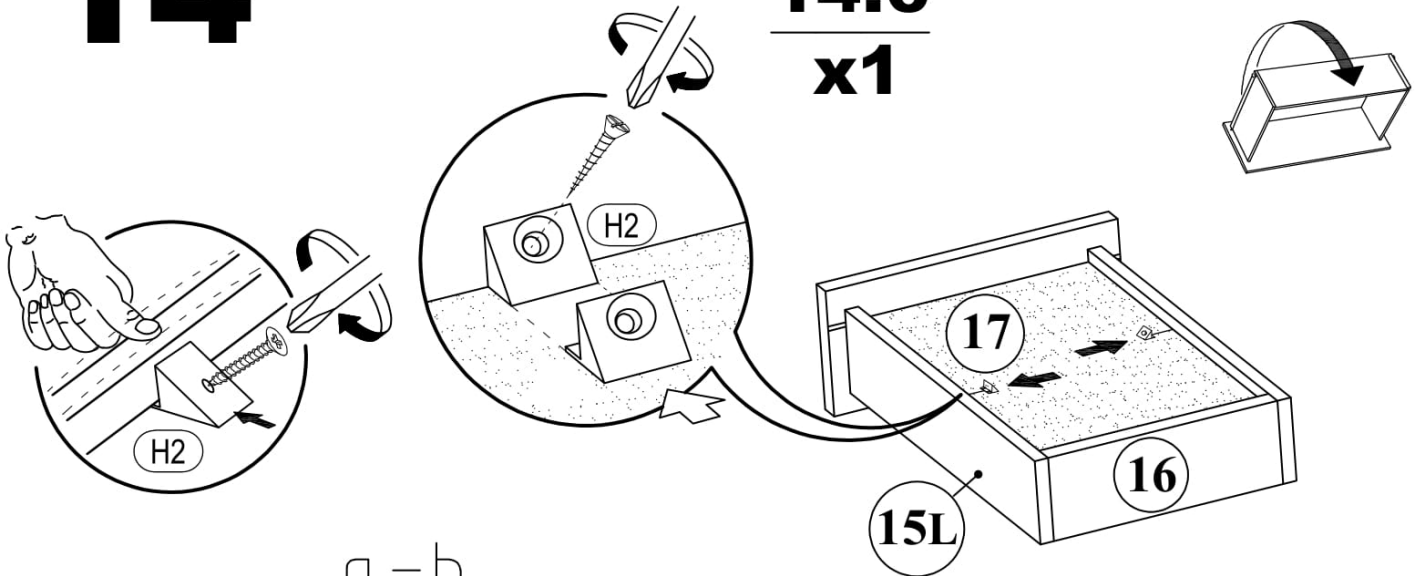




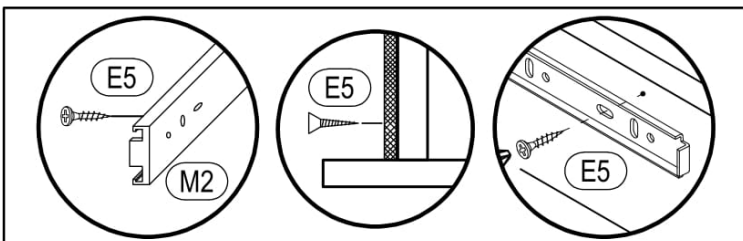
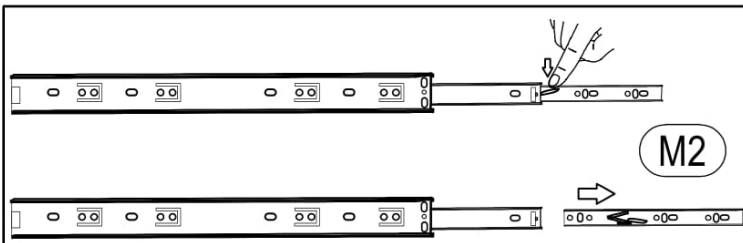
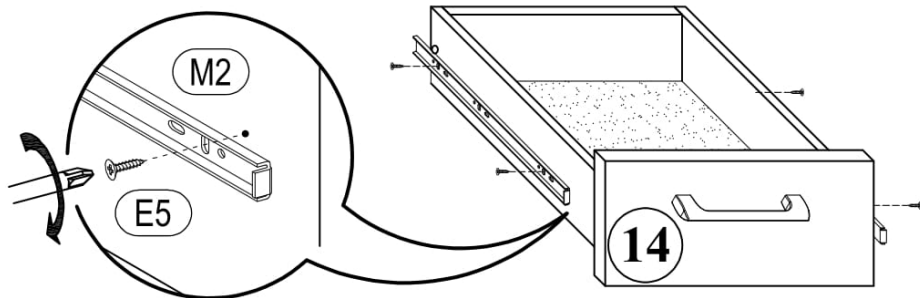
 <b>(E5)</b> 3,5*16mm x4	 <b>(H2)</b> x2	 <b>(M2)</b> L-350mm x1
--	---	---



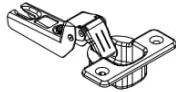
# 14

## 14.6 x1

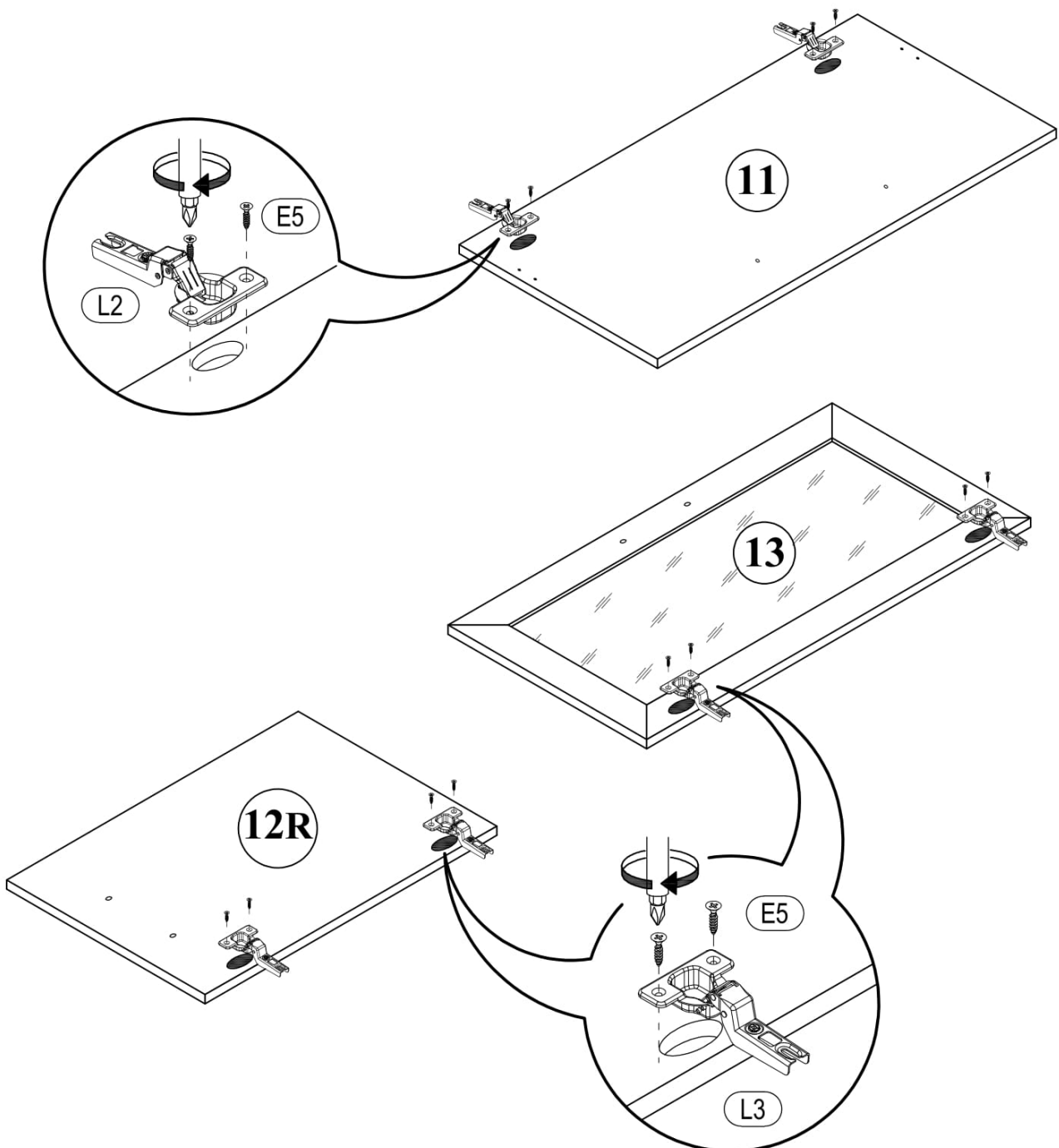





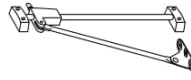
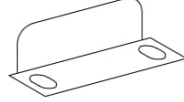
## 14.7 x1



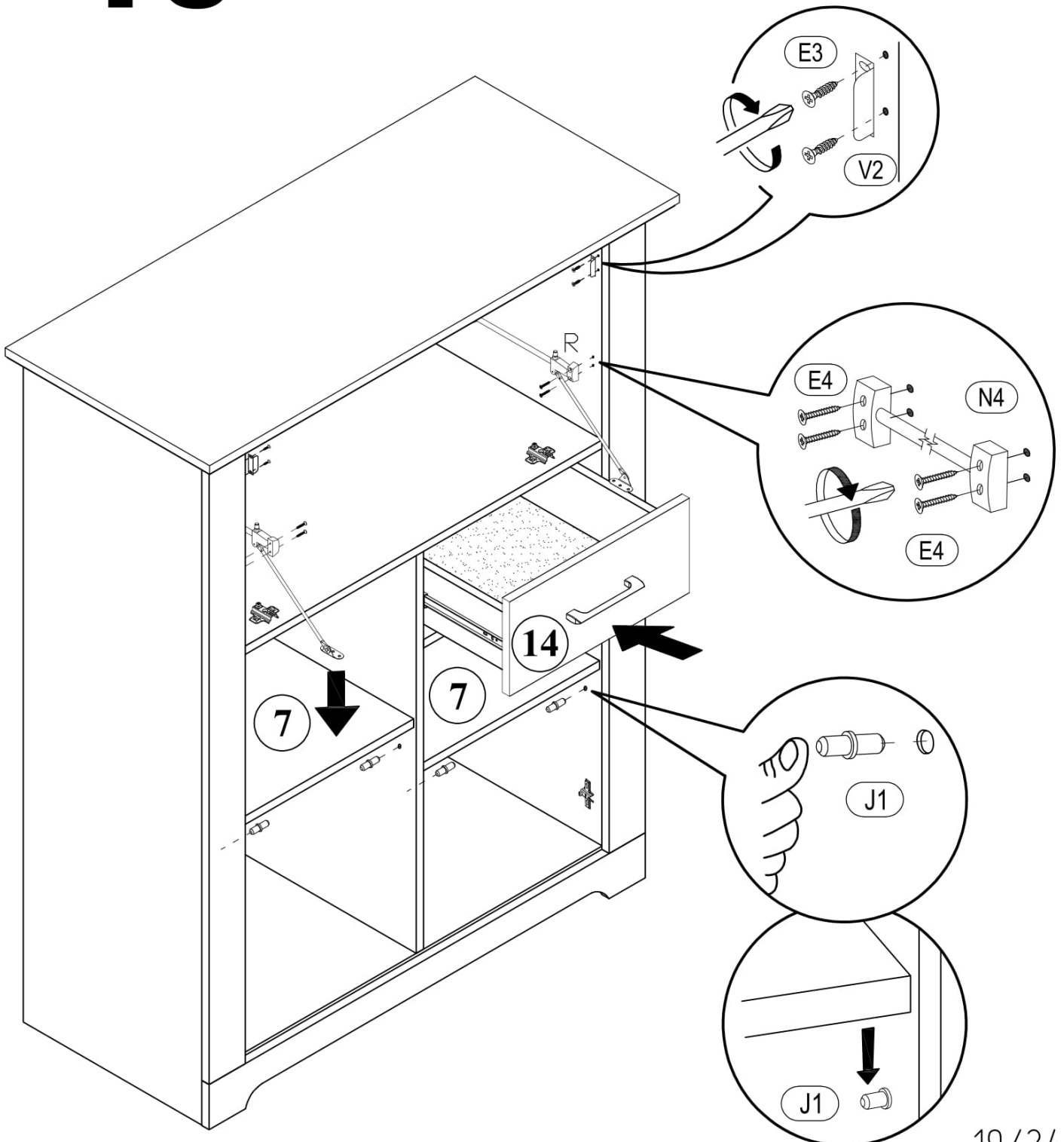
 <p>(E5) 3,5*16 x12</p>	 <p>(L2) x2</p>	 <p>(L3) x4</p>
--	--	--

# 15



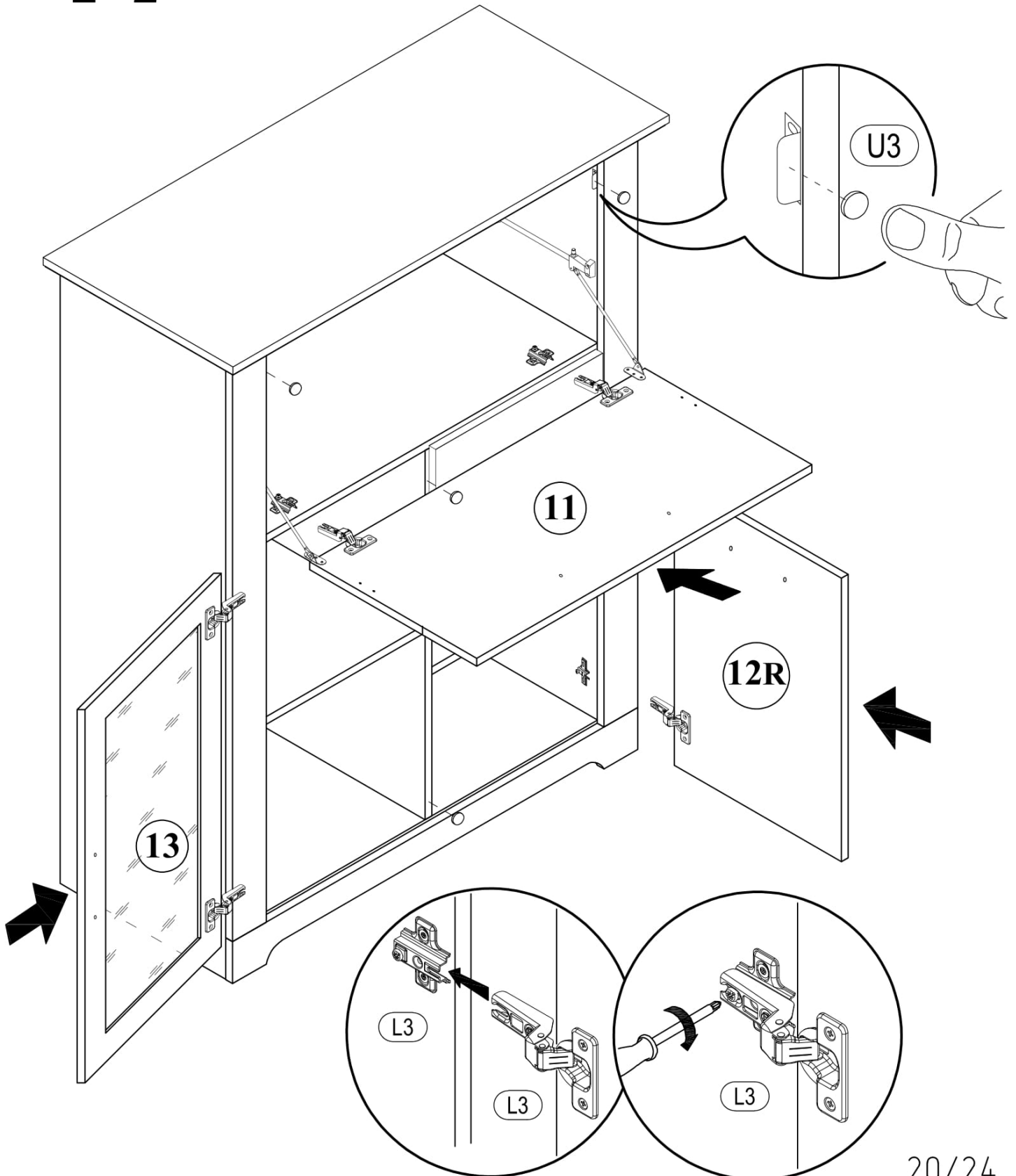
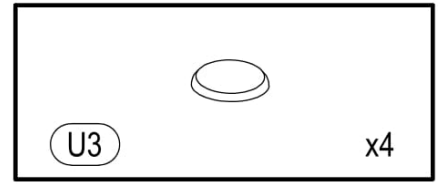
 <b>E3</b> 3*15mm x4	 <b>E4</b> 3*20mm x8	 <b>J1</b> 5*16mm x8
 <b>N4</b> 1R+1L x2		 <b>V2</b> x2

# 16


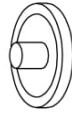


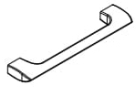
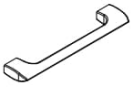


**VALERIO**  
**BAR 3D GL 1Dr**

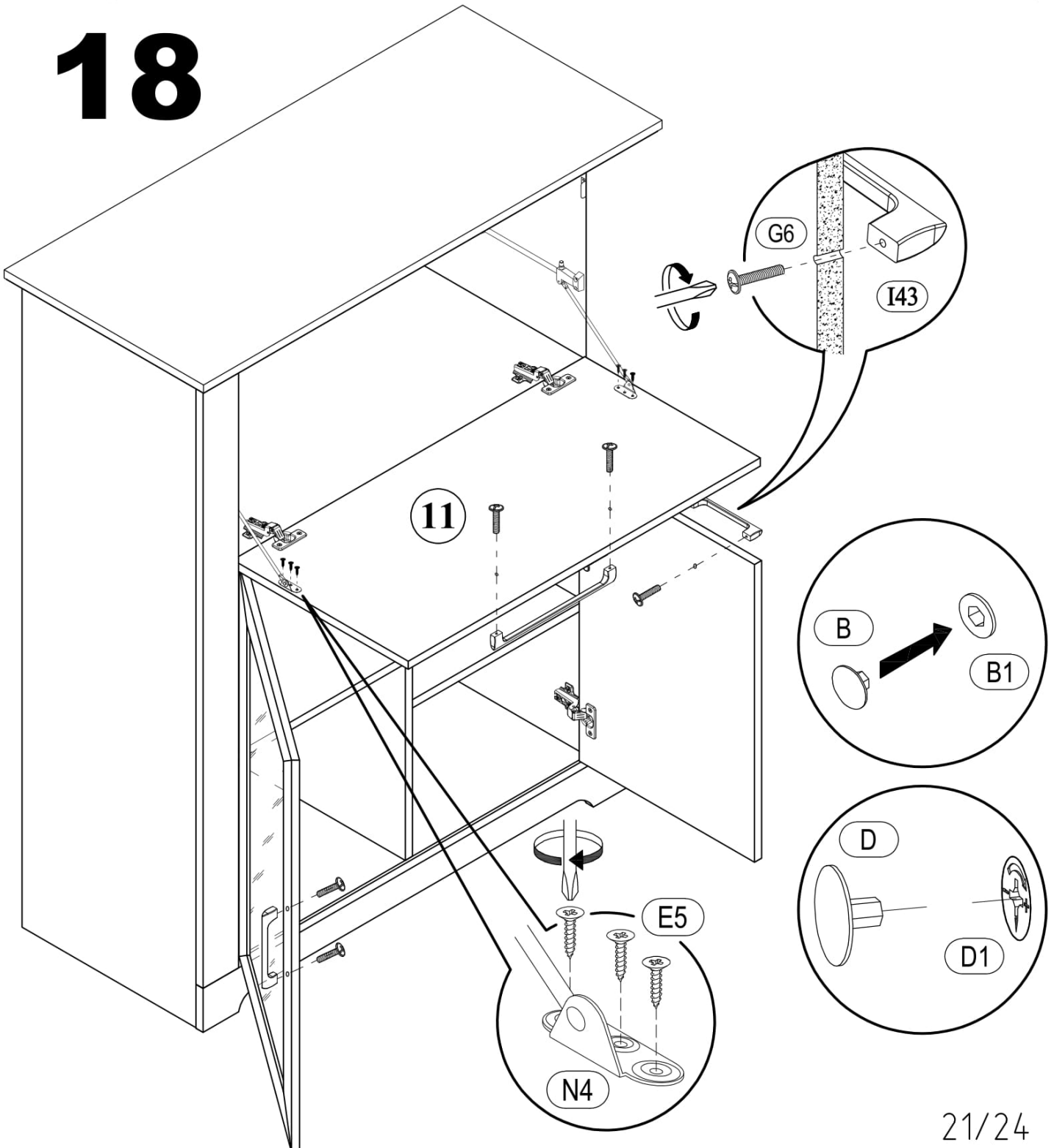
**17**



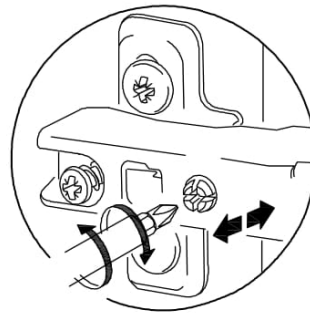
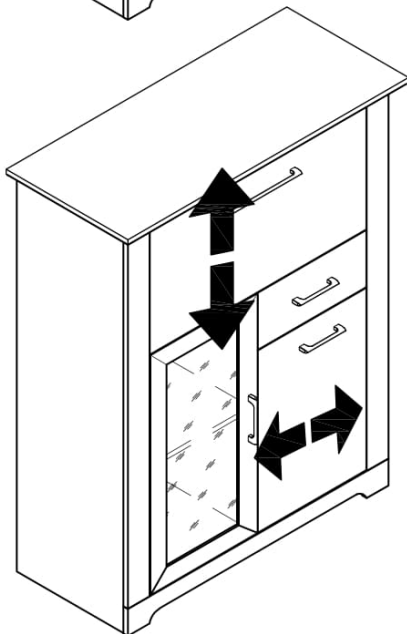
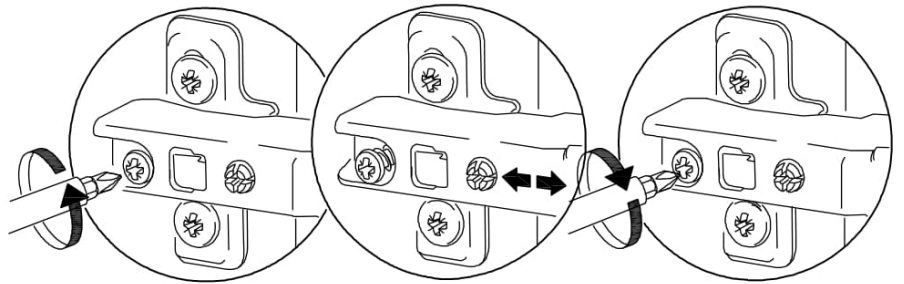
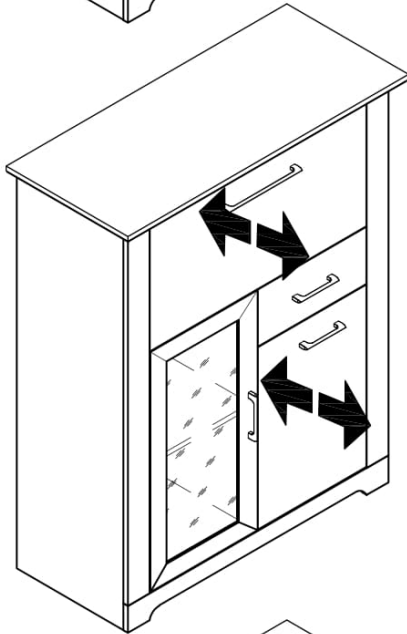
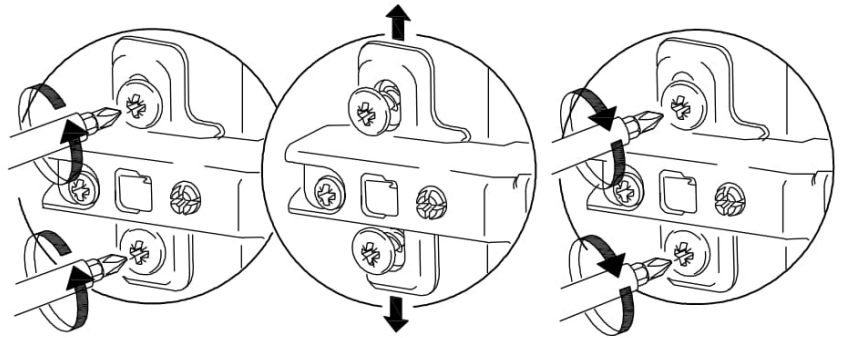
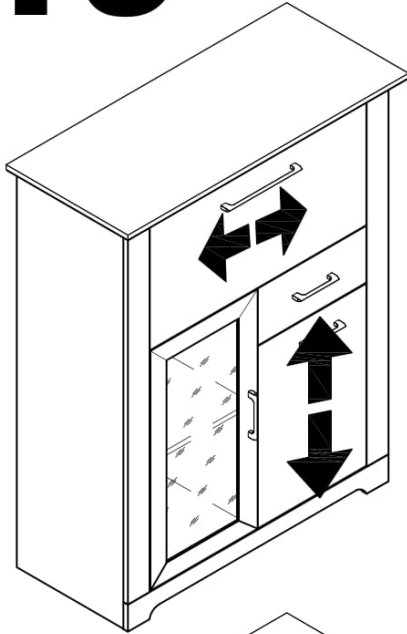
**VALERIO**  
**BAR 3D GL 1Dr**

 <b>B</b> x8	 <b>D</b> x18	 <b>E5</b> 3,5*16 x6
 <b>G6</b> M 4*22 x6	 <b>I43</b> P-38 (128) x2	 <b>I43</b> P-38 (256) x1

**18**



# 19



**VALERIO**  
**BAR 3D GL 1Dr**

